



**E-Z POUR 100 DIESEL MELTER  
WITH AIR COMPRESSOR  
WITH PUMP/APPLICATOR**

**PART MANUAL - 26263  
REV. A**

Revised: 05/2004

**E-Z POUR 100 DIESEL MELTER  
WITH AIR COMPRESSOR  
WITH PUMP/APPLICATOR**



# TABLE OF CONTENTS

EZ Pour 100 Diesel Melter with Air Compressor with Pump Applicator.....	5
Safety Precautions.....	6-7
Limited Warranty.....	7
Warranty Claim Instructions.....	8
Specifications.....	9
Introduction.....	10
Operating Instructions	
Machine Start Up.....	11-13
Air Compressor.....	14
Checking Temperature Control Calibration.....	14
Recalibrating the Temperature Controls.....	15
Loading the Machine.....	15
Shutdown & Clean-Out Procedure/Storing Machine.....	16
Instruction for Ordering Parts.....	16
Maintenance	
Maintenance Instructions.....	17
Maintenance Chart.....	18
General Maintenance Items/Service Instructions.....	19
Recommended Fluids and Lubricants.....	20
Diesel Burner Electrode Adjustments/Diesel Burner Settings.....	21
Trouble Shooting	
Trouble Shooting Guide.....	22
Burner Trouble Shooting Guide.....	23
Pump Section Packing Instructions.....	24
Diagrams and Parts	
E-Z 100 Diesel w/Air Compressor w/Pump/Applicator	
Diagram and Parts.....	25-31
Diesel Burner Diagram and Parts.....	32-33
Hydraulic Piping Diagram and Parts.....	34-37
Diesel Piping Diagram and Parts.....	38-39
Air Piping Diagram and Parts.....	40-41
Burner Schematic with Shutdown.....	42

# E-Z POUR 100 DIESEL MELTER WITH AIR COMPRESSOR WITH PUMP/APPLICATOR

This manual is furnished with each new **CRAFCO E-Z POUR 100 DIESEL MELTER**. The manual will help your machine operators learn to run the sealer properly and understand its mechanical functions for trouble-free operation.

Your **CRAFCO E-Z POUR 100 DIESEL MELTER** is designed to give excellent service and save maintenance expense. However, as with all specifically engineered equipment, you can get best results at minimum costs if:

- (1) You operate your machine as instructed in this manual, and
- (2) Maintain your machine regularly as stated in this manual.



**WARNING:** The engine exhaust from this product contains chemicals known to the State of California to cause cancer, birth defects or other reproductive harm. Operate in well ventilated area only. Engine exhaust is deadly.



# SAFETY PRECAUTIONS

- High operating temperatures of sealant and machine require protective clothing and gloves be worn by operator.



- Always wear eye protection.

- Observe all **CAUTION AND WARNING** signs posted on machine.



- Avoid the entrance of water into any part of the machine. Water will displace heat transfer oil or sealant, which could be hazardous to personnel surrounding the machine when it reaches operating temperatures.

- Avoid bodily contact with hot sealant material or heat transfer oil, serious burns may result.

- Read Operator Manual thoroughly before operating machine.

- Make sure operator is familiar with machine operation.

- Do not operate in closed building or confined areas.

- Shut-down burner and engine prior to refilling diesel tank.

- When adding solid material to sealant tank, stop mixer, lift lid, place material onto lid and close lid before restarting mixer. Hot material could splash and cause serious burns if this procedure is not followed.

- Keep hands, feet, and clothing away from all moving parts.

- Always keep a fire extinguisher near the unit. Maintain extinguisher properly and be familiar with its use.



- **DO NOT** exceed 525°F. for heat transfer oil temperature.

- **DO NOT** overfill heat transfer oil level. Expansion of oil during heat up could cause overflow. With machine in level position, check oil each day before starting burner, add oil to top mark on dipstick if required (at 70°F.). **Use only recommended heat transfer oil and change after 500 hours of operation or one year, whichever occurs first.**

- Follow operating instructions for starting and shut-down of burner. Instructions are mounted on control box.

- Calibrate temperature control prior to initial operation and each 50 hours of operation.

# SAFETY PRECAUTIONS

- Replace any hoses which show signs of wear, fraying, or splitting. Be sure all fittings and joints are tight and leak-proof.

- Precaution is the best insurance against accidents.



- The E-Z Pour 100 Diesel Melter should not be left unattended with burner lit.

- Tighten all bolts and screws after every 100 hours of operation.

- CRAFCO, Inc. assumes no liability for an accident or injury incurred through improper use of the machine.

## E-Z POUR 100 DIESEL MELTER LIMITED WARRANTY

Crafco, Inc., through its authorized distributor, will replace for the original purchaser free of charge any parts found upon examination by the factory at Mesa, Arizona, to be defective in material or workmanship. This warranty is for a period within 60 days of purchase date, but excludes engine or components, tires, and battery as these items are subject to warranties issued by their manufacturers.

After 60 days, Crafco, Inc., warrants structural parts, excluding heating system, hydraulic components, material pump and hoses, hot oil pump, applicator valves, and electrical components for a period of (1) one year from date of delivery. Crafco, Inc., shall not be liable for parts that have been damaged by accident, alteration, abuse, improper lubrication/maintenance, normal wear, or other cause beyond our control.

The warranty provided herein extends only to the repair and/or replacement of those components on the equipment covered above and does not cover **labor** costs. The warranty does not extend to incidental or consequential damages incurred as a result of any defect covered by this warranty.

All transportation and labor costs incurred by the purchaser in submitting or repairing covered components must be borne by the purchaser.

Crafco, Inc. specifically disavows any other representation, warranty, or liability related to the condition or use of the product.



**WARNING:** Use of replacement parts other than genuine Crafco parts may impair the safety or reliability of your equipment and nullifies any warranty.

## **WARRANTY CLAIM INSTRUCTIONS**

Please follow the instructions stated below when calling in a Warranty Claim. Failure to follow these procedures may be cause to void the warranty.

1. Call your local CrafcO Distributor. If you do not know who your local distributor is, call a CrafcO Customer Service Representative, (Toll Free 1-800-528-8242) for name, location, and telephone number.
2. On contacting the distributor, be prepared to identify the machine type, model number, and serial number, also, the date of purchase if available.
3. Should the cause of the malfunction be a defective part, the distributor will advise you of the procedure to follow for a replacement.
4. The warranty is valid only for parts, which have been supplied or recommended by CrafcO, Inc.

If you have any additional questions regarding warranty repairs and parts, please do not hesitate to call toll free 1-800-528-8242.

CRAFCO, INCORPORATED  
235 SOUTH HIBBERT DRIVE  
MESA, AZ. 85210  
480-655-8333  
Toll Free 1-800-528-8242



# SPECIFICATIONS

Vat Capacity.....	100 Gallons
Melt Capacity.....	80 Gallons/Hour
Heat Transfer Oil Required.....	27 Gallons at 70°F
Tank Construction.....	Double Boiler Type
Tank Opening Size.....	14" X 18"
Maximum Heat Input.....	Diesel, Forced Air- 250,000 BTU
Burner and Temperature Control.....	Thermostatic Control
Engine - Isuzu.....	Three Cylinder 33 HP @ 3000 rpm
Drive Mechanism.....	All hydraulic with infinite speed forward & reverse action.
Mixer.....	Full Sweep Mixer with 2 horizontal paddles.
Axle .....	Dual - 3,500 lbs.capacity
Tires (4).....	ST 205/75 R-14 Load Range D
Dry Weight.....	Approximately 4,000 lbs.
Diesel Tank .....	30 Gallons
Air Compressor.....	36.8 CFM Rated @ 100 PSI Air Pressure Setting

# E-Z POUR 100 DIESEL MELTER OPERATING INSTRUCTIONS

## INTRODUCTION

The CRAFCO E-Z Pour 100 Diesel Melter was developed to melt CRAFCO Brand Sealants. However, it will work equally well with all road asphalts and federal specification crack or joint sealants.

**DO NOT** operate machine without reading operator's manual and being thoroughly familiar with controls:

1. Fill engine fuel tank with diesel fuel (use #1 in cold weather, #2 in warm weather).
2. Check engine crankcase oil (refer to Engine Operator's Manual).
3. Check hydraulic fluid level, at ambient temperature. Add fluid if necessary to bring fluid to correct level.
4. Check heat transfer oil level. Check level at ambient temperature, machine level. At 70°F, oil should be at the top mark. **DO NOT** overfill, or spillage may occur when machine reaches operating temperature.
5. All valves should be in closed position and temperature control box set at "**OFF**".
6. Applicator hose can be kept warm and ready for use by storing in heating chamber before using machine. Close heating doors after hose and wand have been coiled in chamber.
7. Check temperature control calibration.
8. Check oil in compressor (refer to Compressor Operator's Manual.)



### **CAUTION:**

Extreme care must be used when operating this equipment. Safety is the result of being careful and paying attention to details. Remember the diesel flame is about 2,200°F. Certain exposed parts of this machine, when operating reach 500°F; the sealant as high as 400°F and the hydraulic fluid may reach 200°F. Always wear protective clothing, hard sole shoes, and eye protection. Be sure that all joints and fittings are tight and leak proof. Immediately replace any hose, which shows any signs of wear, fraying, or splitting. Tighten all bolts, nuts, and screws every 250 hours.

# MACHINE START UP

## TO START BURNER

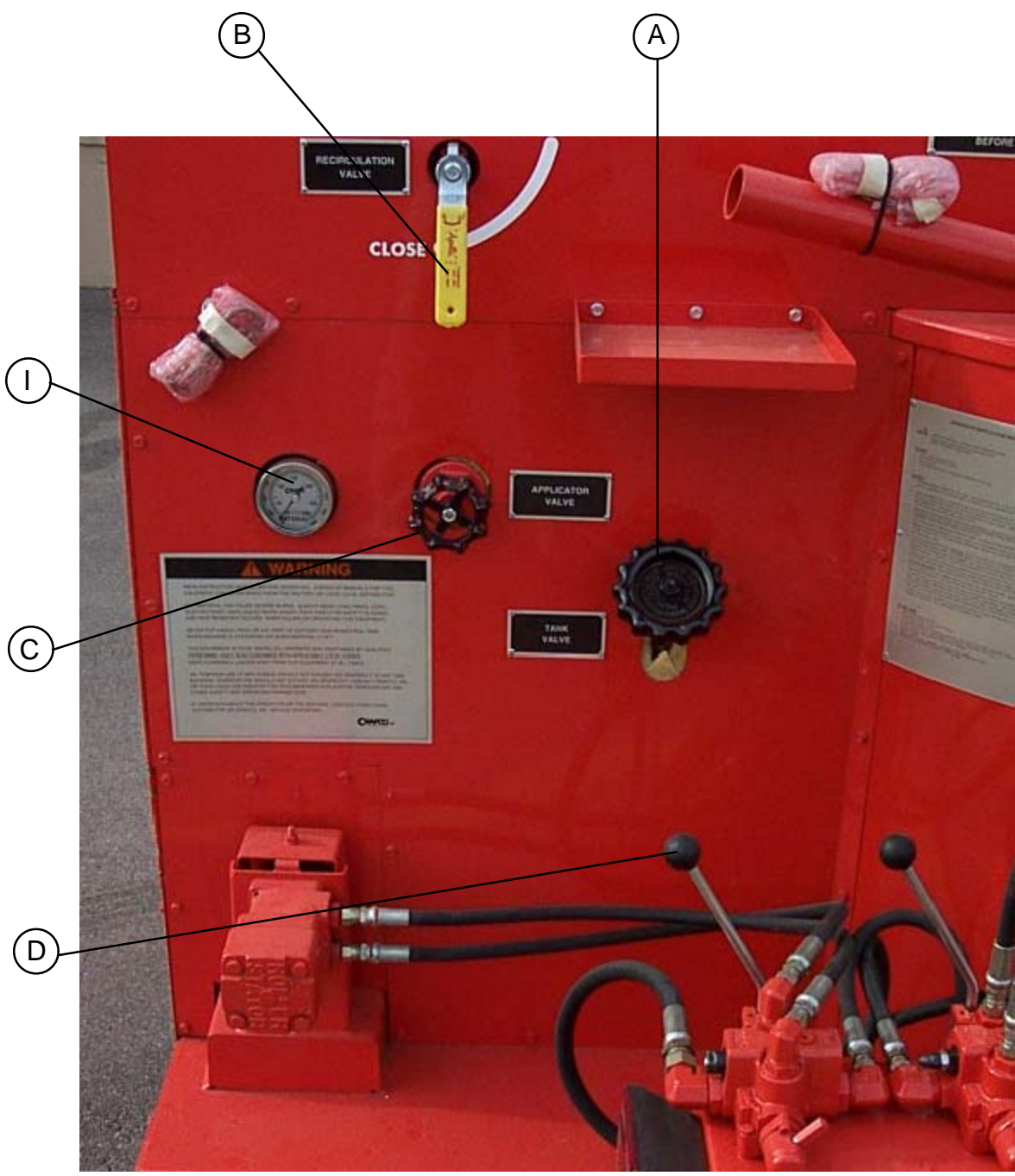
1. Fully open the damper vent.
2. Set temperature dial to “OFF”.
3. Start engine.
4. Turn temperature dial to desired temperature setting.



### **CAUTION:**

If burner does not ignite the first time, turn temperature dial to off. Turn temperature dial to desired setting. Burner should ignite. If burner still does not ignite, determine cause of malfunction (see [Trouble Shooting Guide](#)).

5. Allow the heating oil to continue to heat. When sealant material reaches a liquid state, engage the agitator by moving the agitator level either forward or backward. If agitator does not move, allow material to heat longer. Jamming of mixer shaft causes hydraulic oil to over heat and machine damage could occur.
6. When sealant reaches correct application temperature, open main tank valve (Page 12, item A), open recirculation valve (Page 12, item B) and close applicator valve (Page 12, item C). Put sealant pump in reverse (Suction) mode. When pump turns freely, reverse sealant pump flow (Discharge) (Page 12, item D). This circulates sealant back into tank.
7. Check the sealant temperature in line (Page 12, item I). This indicates the temperature of sealant flowing through lines.
8. When application of sealant is desired, remove the hose from the rear of machine. Attach hose to hand applicator. Be sure to hand tighten only. Place applicator in rear tank opening, with the hand wand valve in the **ON** position.
9. Open applicator valve (Page 12, item C).
10. Close the recirculation valve (Page 12, item B). **IMPORTANT:** Adjust the valve to get the desired amount of flow from the applicator wand given your applicator needs. You do not need to close the valve all the way for application. If material does not flow from wand, the hose may need to be warmed. Heat hose by placing in heating chamber to liquify sealant in hose, then repeat procedure.
11. Extreme care should be taken when changing or installing applicator tips. If the material is hot the material pump **must** be put in the “**SUCTION**” mode. This will insure against hot material pumped from wand. **Sealant material is hot and can cause skin burns.**
12. To apply sealant to joint, remove hand applicator from rear tank opening. **Make sure** the hand wand valve is closed. When applicator wand is over joint, open hand valve and apply sealant.
13. To prevent hose from cooling, place the applicator wand in the rear tank opening when not to be used for 2 minutes or more. Always close hand wand prior to inserting wand in tank opening. Open hand valve to recirculate back into tank and keep hose warm.





## AIR COMPRESSOR

The air compressor unit installed on the E-Z Pour 100 is designed to assist in the cleaning of debris from cracks & joints. **Always** use approved high pressure air hoses with properly installed fittings. **Do not use frayed or worn hoses.** A cold air lance, or approved hot air lance can be used with this compressor.

For maximum air compressor performance, the engine should be operated at maximum factory set R.P.M.'s.

Consult Crafc0, on your hot air lance dealer for the appropriately sized lance used on a 63 CFM compressor.

The compressor is operated hydraulically and disengaged when maximum air pressure setting in storage tank is reached. If the compressor is not needed, turn off at toggle switch (page 13, item F) L.H. side of temperature control box.

## CHECKING TEMPERATURE CONTROL CALIBRATION

The temperature control system is calibrated at the factory during testing; however, it is good practice to check the calibration when the machine is first put into operation and periodically. (Each 50 hours of operation is recommended.) The gauge (page 13, item G) registers the actual temperature of the heat transfer oil and it should coincide with the temperature control hand knob setting (page 13, item H).

To check the calibration, first the machine must be level and the following procedure must be followed - check heat transfer oil level, using dipstick. Start up the burner. Set temperature control hand knob at about 250°F. Leave burner on until 200°F. registers on the temperature gauge. Slowly turn the temperature control hand knob down until a click is heard and/or the burner shuts off. If the temperature control hand knob, at this point, reads differently than the temperature gauge, recalibration is required.

## RECALIBRATING THE TEMPERATURE CONTROLS

To recalibrate the temperature control, set the temperature control knob to 200°F. When the burner shuts off, carefully pull the hand knob off the spindle. Be careful not to move the spindle during this operation. With a jeweler's screwdriver (or the flattened end of a paper clip) turn the adjusting screw inside the spindle **counterclockwise** to increase temperature or **clockwise** to decrease temperature (1/8 turn will change the temperature 15°F. to 20°F.), Carefully replace hand knob. Both the hand knob and the temperature gauge should now read approximately 200°F.



### **CAUTION:**

Extreme care must be used when operating this equipment. Safety is the result of being careful and paying attention to details. Remember the diesel flame is about 2200°F. Certain exposed parts of this machine, when operating, reach 500°F.; the sealant as high as 400°F. and the hydraulic oil may reach 200°F. Always wear protective clothing and eye protection. Be sure that all joints and fittings are tight and leakproof. Immediately replace any hose which shows any signs of wear, fraying or splitting. Tighten all bolts on all flanges after 100 hours. Tighten ALL bolts, nuts and screws every 250 hours.

## LOADING THE MACHINE

When loading solid material into the sealant tank, the mixer must be momentarily stopped, the lid lifted, the material placed on the lid and the lid closed again before the mixer is restarted. Following this procedure will prevent the hot material from splashing and causing serious burns to personnel.

The solid material must be added at intervals, which will allow the mixer to rotate without jamming. If blocks of material are fed in too quickly, jamming will result and slow down the melting process.

# SHUTDOWN AND CLEAN-OUT PROCEDURE

1. Turn the temperature dial to “OFF”.
2. Move mixer control valve to “OFF” position.
3. Close recirculation valve.
4. Put material pump in suction mode. With hand applicator valve open, disconnect wand and return hose to heat chamber. Close applicator valve. Open recirculation valve. Close main tank valve.
5. Return material pump control valve to “OFF” position.
6. Turn off engine.
7. Return wand to heat chamber.

## STORING MACHINE

The E-Z Pour 100 should be stored in an area to prevent moisture from entering machine. This will allow the moisture condensation to settle to the bottom rear of the heat transfer oil tank, above the drain plug. After extended periods of time, the water can be drained by removing the plug and replacing it when all water is displaced.



### **CAUTION:**

If there is any suspicion that moisture is still present after draining, warm heat transfer oil to 300°F for 2 or 3 hours to evaporate any moisture.

## INSTRUCTION FOR ORDERING PARTS

Parts may be ordered from your local CRAFCO distributor or directly from CRAFCO, Inc. if a distributor is not available in your area. When ordering parts, give the following information:

1. Part Number
2. Machine Model
3. Serial Number from Name Plate

### **Write, telephone, or fax:**

CRAFCO, INC.  
235 SOUTH HIBBERT  
MESA, AZ 85210  
480-655-8333  
480-655-1712  
Toll Free: 1-800-528-8242



# MAINTENANCE INSTRUCTIONS

## **ENGINE:**

- Check engine oil daily. Change after the first 50 hours of operation and change every 100 hours thereafter.
- Change oil filter initially at 50 hours, every 100 hours thereafter.
- See engine owners manual for additional operating and maintenance instructions.



## **HYDRAULIC SYSTEM:**

Check hydraulic fluid daily. Change hydraulic filter after first 250 hours of operating and every 250 hours thereafter. Change hydraulic fluid every 500 hours of operation.

## **WHEEL BEARINGS:**

Repack wheel bearings every 24,000 miles of every two years, using a good grade of bearing grease.

## **TONGUE JACK:**

Lubricate tongue jack, using a good grade of bearing grease.

## **SEALANT PUMP:**

Adjust pump packing periodically. A slight drippage (several drops per minute) should be allowed. Refer to Pump Section for details. See page 24.

# MAINTENANCE CHART

LOCATION	PROCEDURE	HOURS			
		Daily	50	100	500
Engine check oil level.	Check daily.	*			
Other Engine Maintenance	See Isuzu Operating and Maintenance Instructions.				
Battery	Check water level weekly.				
Pump Packing	Tighten as required. Drip should be several drops/per minute.		*		
Heat Transfer Oil	Check (every 8 hours)		*		
	Change	After 500 hours or 1 year.			
Hydraulic Oil Return Line Filter	First change (250 hours)				
	Subsequent changes (250 hours)			*	
Hydraulic Oil	Check oil (daily).	*			
	Change oil (every 500 hours).				*
	For proper oil, see recommended fluids & lubricants.				
Burner	Check burner box insulation.				*
	Clean cad cell.				*
	Check electrodes.				*
	Check blower brushes.				*
	Check nozzle pressure.				*
Wheel Bearings	Clean & repack - using good grade of bearing grease.	Every 24,000 miles or every two years.			
Tongue Jack	Grease, using good grade of bearing grease.	Once a year.			
Air Compressor	See Air Compressor Manual.				

## GENERAL MAINTENANCE ITEMS

RECOMMENDED QUANTITY	DESCRIPTION	PART NO.
1 Set	Packing, Sealant Pump	43138
1	Sealant Hose Assembly	27084
1	Engine Oil Filter	43851
1	Engine Fuel Filter	41867
1	Hydraulic Filter	44805
1	Air Filter	43865
1	Compressor Air Filter	43086

## SERVICE INSTRUCTIONS

1. Conduct a general inspection of your machine at least once a week. Replace all worn or damaged parts, make any necessary adjustments and tighten all loose nuts or screws.



2. Keep regular replacement items in stock for emergency repairs, to avoid costly “down” time. Refer to General Maintenance Items.
3. Watch for leaks - tighten packing on pumps as necessary.
4. Clean machine externally periodically. Check with sealant manufacturer for recommendation.
5. Follow recommended maintenance procedures on maintenance chart.

## RECOMMENDED FLUIDS & LUBRICANTS

APPLICATION	RECOMMENDED	FULL POINT
Engine Oil	Refer to Isuzu Engine Operating Manual.	
Diesel	#1 Cold Climate #2 Warm Climate	30 Gal.
Hydraulic Oil	Tellus Plus 68	28 Gal.
Heat Transfer Oil	Turbo T Oil 68	27 Gal.
Compressor	Refer to Manual.	

The following is a list of suitable Heat Transfer Oils to be used in CrafcO equipment.

PRODUCER	PRODUCT NAME	PRODUCT NO.
Texaco	Regal	R&O 68
Gulf	Harmony	68
Shell	Turbo Oils T	68
Exxon	Teresstic	68
Phillips	Magnus	68
Chevron USA	Heat Transfer Oil #1	
Conoco	Dectol R&O	68
Union Oil	Turbine Oil	68

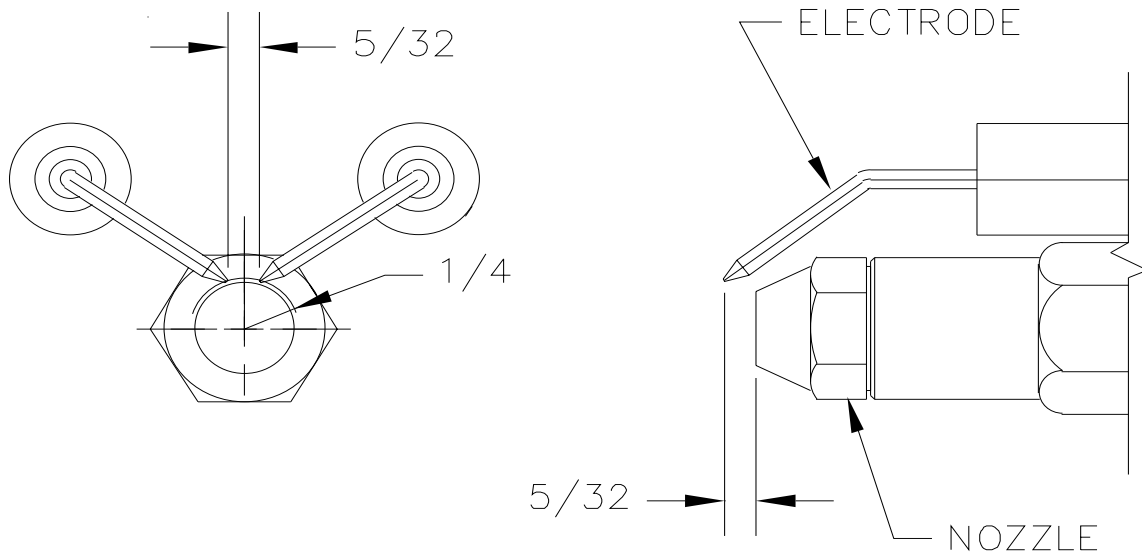


### **WARNING:**

The Heat Transfer Oil in this machine is a grade that has been tested and recommended by CRAFCO, Inc. The addition of any grade of oil not specifically recommended by CRAFCO, Inc. shall be cause for the warranty to be void.

All oils subjected to high temperatures deteriorate with time and lose many of their characteristics. Test conducted by CRAFCO, Inc. have determined that for best results and safety, the Heat Transfer Oil in this machine must be drained and replaced with CrafcO, Inc. recommended oil after five hundred (500) hours of operation or one (1) year, whichever occurs first.

## DIESEL BURNER ELECTRODE ADJUSTMENTS



(41883)

## DIESEL BURNER SETTINGS

Air Shutter = 7  
Air Band = 0  
Fuel Pressure = 140 PSI

# TROUBLE SHOOTING GUIDE

PROBLEM	CAUSE	REMEDY
Mixer will not rotate.	Sealant temperature too low.	Continue to heat material.
	Too many blocks placed at one time.	Continue to heat material & try reversing mixer.
	Inadequate hydraulic flow/pressure.	Check hydraulic fluid level. Reset pressure/check flow if necessary.
Material pump will not turn.	Material in tank not to operating temperature.	Continue heating material.
	Inadequate hydraulic, flow/pressure.	Check hydraulic fluid level. Reset pressure/check flow as necessary.
	Material pump damaged or foreign object lodged in pump.	Replace/Remove.
Sealant will not recirculate back into tank through recirculation valve.	Material in tank not to correct temperature.	Continue heating material.
	Drain valve closed.	Open valve.
	Material still cold in suction line. Recirculation valve closed.	Make sure compartment temperature is adequate to melt material. Open valve.
Sealant material flows through recirculation valve but will not flow through application hand wand.	Application valve not open.	Open valve.
	Recirculation valve still open or damaged internally.	Close valve or replace.
	Hose/wand still cold.	Leave in chamber until hot.
When applying sealant it stops flowing from applicator wand.	Hand applicator valve was left in off position too long.	Heat hose by placing in heat chamber to liquify sealant.
	Too many blocks of material added to tank. Cold material entered pump & stopped flow.	Heat hose by placing in heating chamber to liquify sealant.
	Tank fluid level too low for material to flow into pump.	Continue heating material until more liquid material is available.
Pump rotates, but will not pump material.	Material pump worn or damaged.	Replace/Repair.
	Pump rotating in wrong direction.	Reverse control lever.
	Foreign object lodged in inlet line to pump.	Dislodge by reversing pump or disassemble inlet line.
	Material cold, inlet still solid.	Continue to heat material.
	Block of sealant over drain.	Dislodge by reversing mixer and pump.
Slow heat up of sealant.	Build up of coked or crystallized material on inside of material tank.	Allow machine to cool. Remove deposits and flush with solvent.
	Burner not operating.	See Burner Trouble Shooting Guide.
	Low heating oil level.	Make sure fluid level is correct.
	Low heating oil temperature.	Set at recommended temperature.
	Heating oil old or has crystallized.	Replace it as recommended every 500 hours.

# BURNER TROUBLE SHOOTING GUIDE

PROBLEM	CAUSE	SOLUTION
Burner blower runs but burner will not light.	Clogged fuel nozzle.	Clean/or replace.
	No fuel in tank, valve at tank shut off, clogged filter or jellied fuel.	Add fuel if necessary open valve, use fuel for anticipated weather.
	Ignitor wires loose, dirty electrodes, faulty transformer.	Check for loose wiring, clean and adjust electrodes, replace transformer if faulty.
	Faulty fuel solenoid, loose wire.	Replace solenoid if necessary tighten all connections.
	Fuel pump at burner needs bleeding.	Open bleeder until fuel runs clear, tighten.
	Cad cell dirty, lens cracked or tape broken in lens.	Clean/Replace.
	Cad cell picking up light from outside of burner housing.	Adjust cad cell bracket to approximately 5° so that it faces downward and close transformer with ear tabs.
	10 amp fuse under DC controller is blown.	Replace.
	Cracked electrodes (ceramic) or not adjusted correctly.	Replace, adjust as per page 21.
	Coupler between fuel pump and blower motor worn, cracked.	Replace.
Excess black smoke in heat compartment and stack.	Air vent incorrectly set.	Shutter=7 Band=0 Accept for this one.
	Blower motor not running at correct speed.	Charge battery by starting engine.
Burner will ignite and run but will shut "off" and "on" with white smoke coming out of stack.	Air in fuel line.	Check all fuel line fittings, cracks in hoses, and bleed fuel pump to burner.
	Fuel pump pressure low.	Adjust to 140 psi.
<b>Make sure engine is running so battery is fully charged (13V or better).</b>		
Burner lights but shuts down after 15 seconds.	Faulty cad cell, broken, loose cad cell wires, receptacle.	Replace, repair, and tighten all connections.
	Bad connection at key ignition switch to engine and at the circuit breaker near battery.	Replace electrical fittings and check for good connections.
Burner lights but will not relight after temperature drops 20 degrees.	Bad connection at battery, broken or loose wires, faulty manual reset switch, faulty temperature controller, low battery volts.	Clean and retighten, repair or replace, replace switch, recalibrate or replace, recharge battery, tighten belt, check/replace alternator if necessary.
Blower motor will not turn at correct speed or burner will not ignite.	High limit switch.	Check or replace.
	Wires at temperature control box loose or broken.	Check connections or tighten, replace if necessary.
	Battery low, alternator belt loose, alternator failure.	Recharge battery, tighten belt, check/replace alternator if necessary.
	Loose/broken battery cable.	Tighten/replace.
	Engine not running.	Charge battery by starting engine.
	Thermostatic control faulty.	Replace.
Burner will not shut down at set temperature.	Thermostatic control faulty or needs recalibration.	Recalibrate or replace if necessary.

# PUMP SECTION PACKING INSTRUCTIONS

Operate the pump under normal conditions and, after a short run-in period, examine packing for leakage. If leakage is excessive tighten locknuts evenly until there is only slight leakage from the packing rings. This slight leakage is a necessary and normal condition for packing and allows for expansion and proper seating.



**NOTE:**

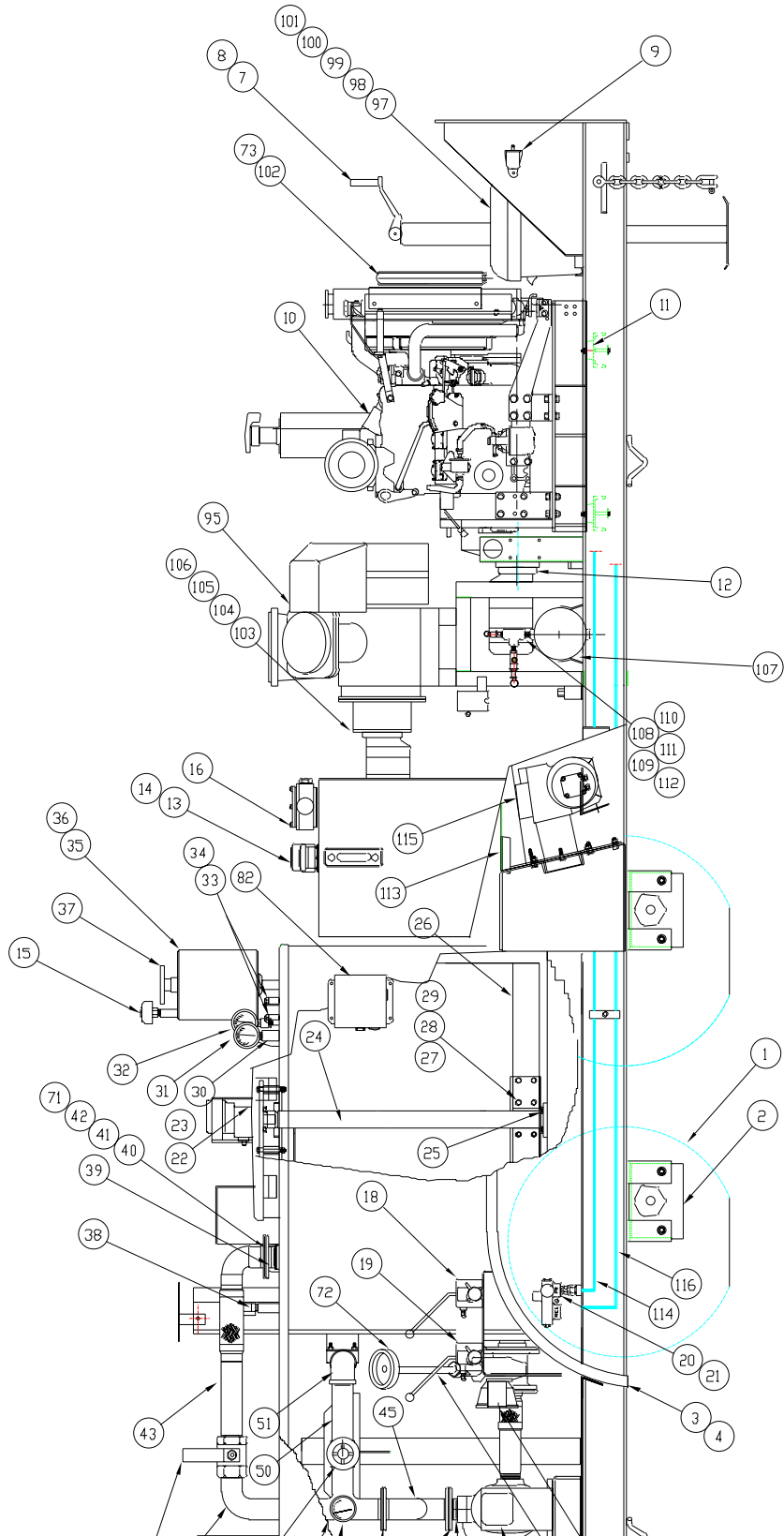
**WHERE LIQUID IS BEING HANDLED, THAT IS HAZARDOUS OR VOLATILE, FULL PRECAUTIONS SHOULD BE TAKEN DURING THE RUN-UP PERIOD.**

To replace packing remove key, two nuts and clips, packing gland and packing rings. (Packing hooks are commercially available to assist in removing the packing rings). Clean the shaft and adjacent parts. Examine the shaft, if it is excessively worn or scored, replacement of pump may be necessary.

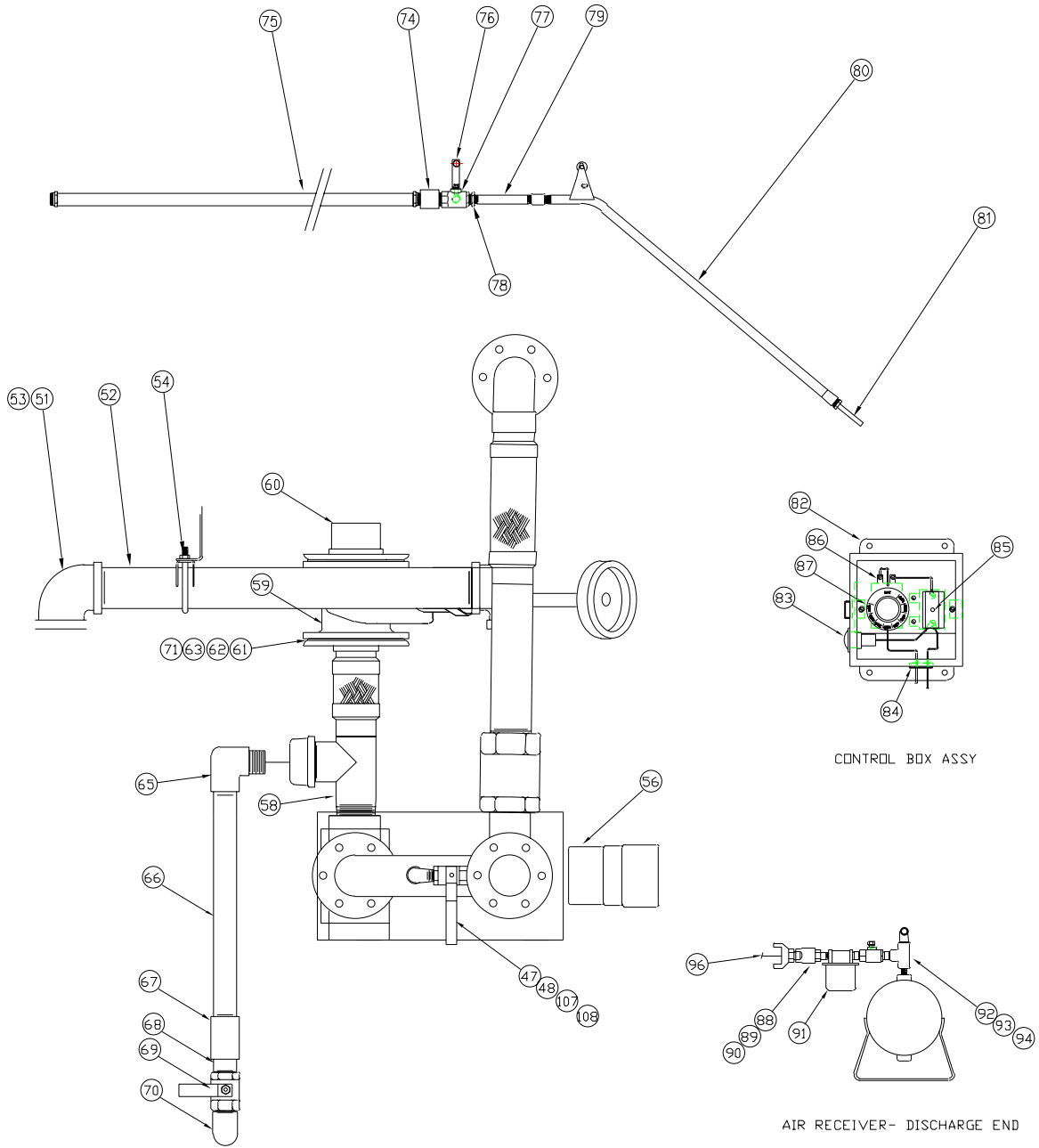
Insert packing rings, making sure the joints are staggered 180 degrees. Use split ring bushings to seat each ring before adding the next ring. The rings must not be taped or seated in place too tightly. When the packing box is sufficiently full to allow entry of the packing gland (about 1/4") reassemble the packing gland, clips and nuts. Draw up evenly on the packing gland to assure proper seating of the packing, and then loosen nuts about 1/2 turn. Do not cock the packing gland. (This could cause binding or heating of the shaft).



# E-Z 100 D W/AIR COMPRESSOR W/PUMP/APPLICATOR - PARTS LIST 42600 PB



# E-Z 100 D W/AIR COMPRESSOR W/PUMP/APPLICATOR - PARTS LIST 42600 PB1



**E-Z 100 D W/AIR COMPRESSOR W/PUMP/APPLICATOR - PARTS LIST**

<b>NUMBER</b>	<b>PART NUMBER</b>	<b>QTY</b>	<b>DESCRIPTION</b>
1	41743	4	TIRE AND WHEEL ASSEMBLY
2	41228	2	AXLE TORSIONAL - 3500#
3	41170	1	FENDER (LH)
4	41171	1	FENDER (RH)
5	24022	1	TAIL LIGHT (RH)
6	24023	1	TAIL LIGHT (LH)
7	23097	1	TONGUE JACK, SIDE MOUNT
8	23096	1	JACK SWIVEL BUSHING
9	23117	1	BREAKAWAY SWITCH
10	43079	1	33 HP DIESEL ENGINE
11	29399	4	ISOMOUNT
12	42664	1	HYDRAULIC PUMP
13	43591	1	DIESEL STORAGE TANK
14	43590	1	HYDRAULIC RESERVOIR
15	26025	1	AIR BREATHER
16	44805	1	HYDRAULIC FILTER (SERVICE ONLY)
17	42344	1	FLANGE TEE
18	41093	1	MIXER CONTROL VALVE
19	41092	1	MATERIAL PUMP CONTROL VALVE
20	41573	1	FLOW DIVIDER
21	40029	1	MOUNTING PLATE
22	40030	4	PIPE SPACER
23	22310	1	SPLINED MIXER MOTOR
24	41690	1	MIXER SHAFT ASSEMBLY
25	28682	1	FLAT WASHER

**E-Z 100 D W/AIR COMPRESSOR W/PUMP/APPLICATOR - PARTS LIST**

<b>NUMBER</b>	<b>PART NUMBER</b>	<b>QTY</b>	<b>DESCRIPTION</b>
26	41587	2	PADDLE ASSEMBLY
27	28731	8	3/8 X 1 BOLT
28	28641	8	3/8 HARDENED WASHER FLAT
29	28538	8	3/8 STOVER C-TOP NUT
30	28178	2	1/2 PIPE COUPLING
31	41243	1	24" TEMPERATURE GAUGE BTM. MNT.
32	40078	1	12" TEMPERATURE GAUGE BTM. MNT.
33	28177	2	3/8 PIPE COUPLING
34	25203	2	STUFFING BOX
35	43355	1	OVERFLOW TANK
36	43736	1	AIR RELIEF ASSEMBLY
37	40136	1	DIPSTICK ASSEMBLY
38	25057	1	9" TEMPERATURE GAUGE BTM. MNT.
39	22030	2	FLANGED NIPPLE ASSEMBLY
40	29050	3	FLANGED GASKET - 6 HOLE
41	28731	18	3/8 X 1 BOLT
42	28538	18	3/8 LOCKNUT
43	41680	1	UPPER PIPE ASSEMBLY
44	41246	1	RECIRCULATION VALVE
45	42351	1	DOUBLE ELBOW ASSEMBLY
46	25050	1	2-1/2 TEMPERATURE GAUGE
47	28237	1	3/8 X 90 STREET ELBOW
48	28282	1	3/8 PIPE PLUG
49	29270	1	BRONZE GATE VALVE
50	28110	1	2" X 8" PIPE NIPPLE

**E-Z 100 D W/AIR COMPRESSOR W/PUMP/APPLICATOR - PARTS LIST**

<b>NUMBER</b>	<b>PART NUMBER</b>	<b>QTY</b>	<b>DESCRIPTION</b>
51	28213	2	2" X 90 PIPE ELBOW
52	41291	1	CROSS FEED PIPE
53	28358	1	2 X 1 REDUCING BUSHING
54	41623	1	U-BOLT PIPE HANGER
55	43145	1	MATERIAL PUMP
56	22027	1	HYDRAULIC MOTOR
57	42352	1	ELBOW RECIRCULATION LINE
58	41657	1	LOWER PIPE SUCTION TEE
59	29292	1	3" FLANGED GATE VALVE
60	42345	1	MATERIAL DRAIN FLANGE
61	29060	2	GASKET - 8 HOLE
62	28731	16	3/8 X 1 BOLT
63	28538	16	3/8 STOVER C-TOP NUT
64	41268	1	VALVE HANDLE EXT.
65	28213	1	PIPE ELBOW
66	28165	1	2" X 12" PIPE NIPPLE
67	28183	1	2" COUPLING
68	28008	1	2" CLOSE NIPPLE
69	29270	1	2" BALL VALVE
70	40125	1	POUR SPOUT
71	28641	68	3/8 FLAT HARDENED WASHER
72	41697	1	3" ALUMINUM HAND WHEEL
73	42657	2	COOLER MOUNT KIT
74	27048	1	MALE/FEMALE SWIVEL
75	27084	1	SEALANT HOSE ASSEMBLY - 15 FT.

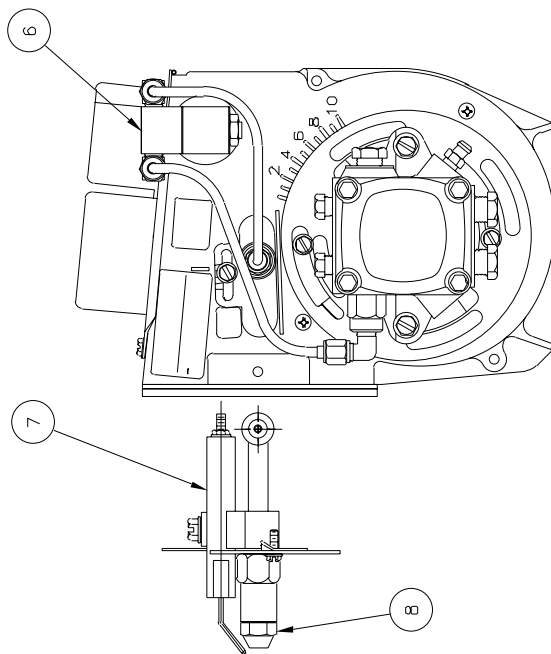
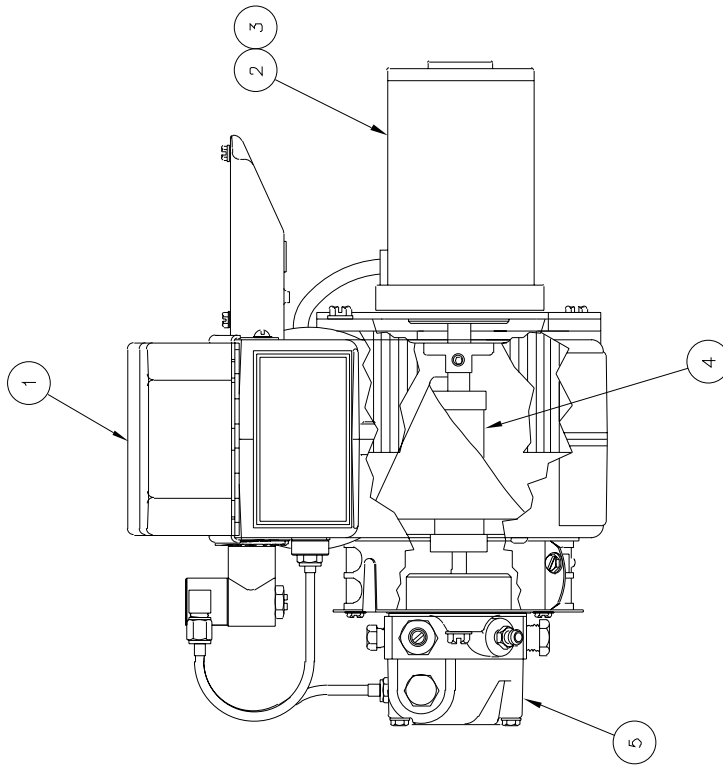
**E-Z 100 D W/AIR COMPRESSOR W/PUMP/APPLICATOR - PARTS LIST**

<b>NUMBER</b>	<b>PART NUMBER</b>	<b>QTY</b>	<b>DESCRIPTION</b>
76	27080	1	HANDLE ASSEMBLY
77	29240	1	1" BALL VALVE
78	28351	1	1 X 3/4 REDUCING BUSHING
79	28100	1	3/4 X 8 PIPE NIPPLE
80	41629	1	HAND WAND ASSEMBLY
81	27171	1	SEALING TIP ASSEMBLY
82	25286	1	CONTROL BOX ASSEMBLY
83	24140	1	INDICATOR LIGHT
84	26075	1	RUBBERGROMMET
85	25240	1	HIGH LIMIT MANUAL RESET PROBE
86	25276	1	550 ELECTRIC THERMOSTAT
87	25220	1	TEMPERATURE DIAL
88	51405	2	1/2 CLOSE NIPPLE
89	29214	1	1/2 BRONZE BALL VALVE
90	42643	1	1/2 AIR HOSE FITTING
91	42603	1	WATER SEPERATOR
92	42702	1	1/2 SWIVEL ADAPTER
93	28018	1	1/2 X 2 NIPPLE
94	28253	1	1/2 "T"
95	42699	1	AIR COMPRESSOR
96	42640	1	AIR HOSE WITH FITTINGS
97	24000	1	12 VOLT BATTERY
98	24002	1	BATTERY BOX
99	37038	1	BATTERY CABLE (NOT SHOWN)
100	24010	1	BATTERY CABLE - 12" BLOCK (NOT SHOWN)

**E-Z 100 D W/AIR COMPRESSOR W/PUMP/APPLICATOR - PARTS LIST**

<b>NUMBER</b>	<b>PART NUMBER</b>	<b>QTY</b>	<b>DESCRIPTION</b>
101	24054	1	BATTERY CABLE - 20" RED (NOT SHOWN)
102	43873	1	HYDRAULIC OIL COOLER
103	42620	1	HYDRAULIC MOTOR
104	42625	1	35 MM COUPLING HALF
105	42627	1	1" COUPLING HALF
106	42626	1	COUPLING SLEEVE
107	42624	1	AIR TANK
108	28024	1	1/4 X 2-1/2 NIPPLE
109	51401	1	1/4 HX. NIPPLE
110	43736	1	PRESSURE CONTROL
111	42629	1	SAFETY VALVE
112	28262	1	1/4 CROSS
113	43114	1	BURNER COVER
114	41123	1	PRESSURE TUBE ASSEMBLY
115	41891	1	DIESEL BURNER
116	41090	1	RETURN TUBE ASSEMBLY

# DIESEL BURNER

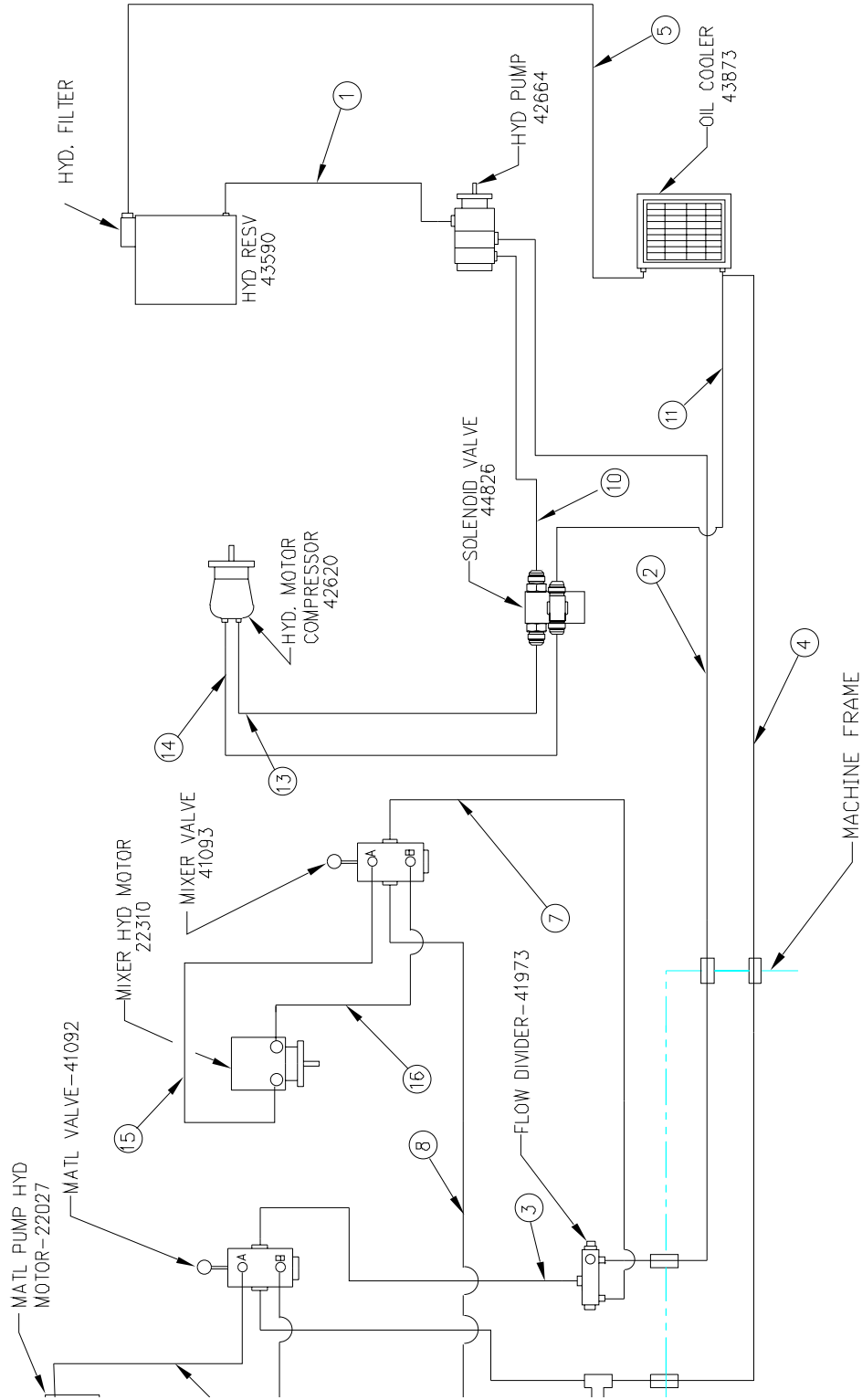




## DIESEL BURNER

ITEM	PART NUMBER	QTY	DESCRIPTION
1	41949	1	IGNITION TRANSFORMER
2	41890	1	BLOWER MOTOR
3			NOT USED
4	41970	1	COUPLING - FUEL PUMP
5	41979	1	PUMP - FUEL
6	41888	1	SOLENOID - FUEL
7	41993	1	ELECTRODE
8	41883	1	NOZZLE
9	41870	1	CAD EYE (NOT SHOWN)
10	42335	1	DC CONTROLLER (NOT SHOWN)

**HYDRAULIC PIPING DIAGRAM  
E-Z 100 DIESEL MELTER WITH COMPRESSOR WITH PUMP/APPLICATOR  
42600 PB3**



**HYDRAULIC PIPING - E-Z POUR 100 DIESEL MELTER  
WITH COMPRESSOR WITH PUMP APPLICATOR**

<b>1. HYD. RESERVOIR TO TANDEM HYD. PUMP (SUCTION)</b>		
1	C20-20FJ-20FJ-33	HYD. HOSE
1	29885	STRAIGHT ADAPTOR
<b>2. TANDEM HYD. PUMP TO FLOW DIVIDER VALVE ("IN" PORT)</b>		
1	29862	ELBOW ADAPTOR
1	AX8-10FJ-10FJ-30	HYD. HOSE
1	29806	BULKHEAD ELBOW CONNECTOR 907
1	29807	LOCKNUT
1	41123	TUBE ASSY.
1	29805	BULKHEAD CONNECTOR
1	29807	LOCKNUT
1	29815	PIPE SWIVEL CONNECTOR
1	28348	3/4 X 1/2 REDUCING BUSHING
<b>3. FLOW DIVIDER VALVE ("PB" PORT) TO MATERIAL VALVE ("IN" PORT)</b>		
1	28348	3/4 X 1/2 REDUCER BUSHING
1	29841	STRAIGHT ADAPTOR
1	AX6-6FJ-6FJ-18	HYD. HOSE ASSY. 3/8 X 18" LG.
1	29872	ELBOW ADAPTOR
1	28347	3/4 X 3/8 REDUCING BUSHING
<b>4. MATERIAL VALVE ("OUT" PORT) TO OIL COOLER ("IN" PORT)</b>		
1	29813	ELBOW ADAPTOR
1	AX8-10FJ-10FJ-27	HYD. HOSE
1	29811	SWIVEL NUT RUN TEE
1	29805	BULKHEAD CONNECTOR
1	29807	LOCKNUT
1	41090	TUBE ASSY.
1	29806	BULKHEAD ELBOW CONNECTOR
1	29807	LOCKNUT
1	AX12-10FJ9-12FJ-52	HYD. HOSE
1	29900	O-RING RUN TEE
<b>5. OIL COOLER ("OUT" PORT) TO HYD. FILTER ("IN" PORT)</b>		
1	29916	ELBOW ADAPTOR
1	AX12-12FJ-12FJ9-78	HYD. HOSE ASSY. 3/4 X 78" LG.

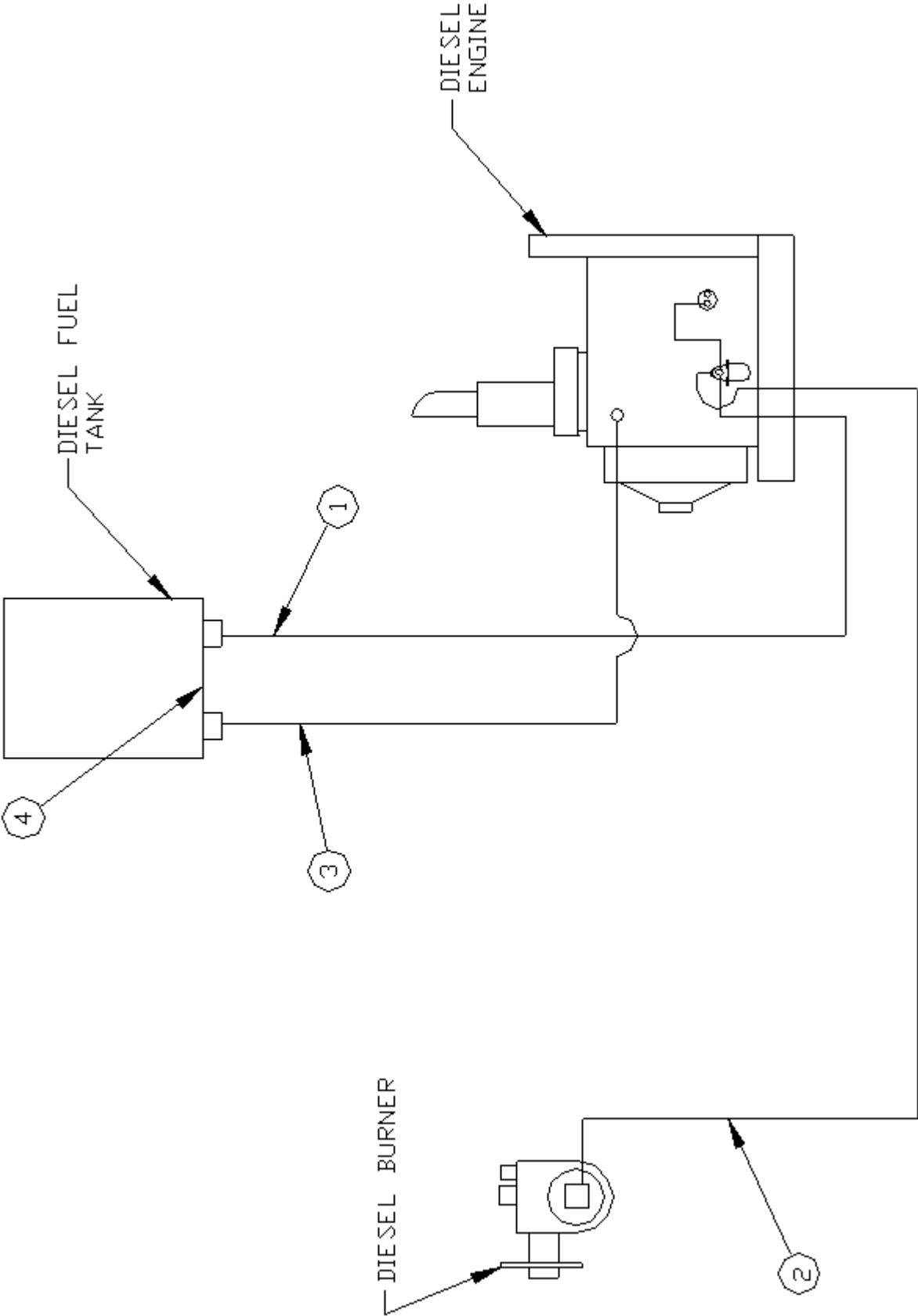
**HYDRAULIC PIPING - E-Z POUR 100 DIESEL MELTER  
WITH COMPRESSOR WITH PUMP APPLICATOR**

<b>6. NOT USED.</b>		
<b>7. FLOW DIVIDER VALVE ("REG." PORT) TO MIXER VALVE ("IN" PORT)</b>		
1	28347	3/4 X 3/8 REDUCING BUSHING
1	29872	ELBOW ADAPTOR
1	AX6-6FJ-6FJ-24	HYD. HOSE
1	29876	ELBOW ADAPTOR
1	28348	3/4 X 1/2 REDUCING BUSHING
<b>8. MIXER VALVE ("OUT" PORT) TO TEE IN LINE</b>		
1	29813	ELBOW ADAPTOR
1	AX6-6FJ-6FJ-18	HYD. HOSE
<b>9. NOT USED.</b>		
<b>10. TANDEM HYDR. PUMP TO SOLENOID VALVE ("IN" PORT)</b>		
1	29868	ELBOW ADAPTOR
1	AX10-10FJ-10FJ-23	HYD. HOSE ASSY. 5/8" X 23" LG.
1	29896	ELBOW ADAPTOR
<b>11. SOLENOID VALVE TO HYD. COOLER "IN" PORT</b>		
1	29896	ELBOW ADAPTOR
1	29865	1/2" RUN TEE
1	AX12-12FJ-12FJ9-45	HYD. HOSE
<b>12. NOT USED.</b>		
<b>13. SOLENOID VALVE ("OUT" PORT) TO HYD. MOTOR FOR COMPRESSOR (R.H. PORT)</b>		
1	29896	ELBOW ADAPTOR
1	AX10-10FJ9L-10FJ-33	HYD. HOSE
1	29821	STRAIGHT ADAPTOR - "O" RING
<b>14. HYD. MOTOR FOR COMPRESSOR (L.H. PORT) TO TEE IN LINE.</b>		
1	29821	STRAIGHT ADAPTOR - "O" RING
1	AX12-12FJ9L-12FJ-35	HYD. HOSE
<b>15. MIXER VALVE ("A" PORT) TO HYD. MOTOR FOR MIXER (L.H. PORT)</b>		
1	29841	STRAIGHT ADAPTOR
1	AX6-6FJ-6FJ-18	HYD. HOSE ASSY. 3/8 X 18" LG.
1	29808	TUBE CONNECTOR
1	41550	TUBE ASSY.
1	22029	STRAIGHT ADAPTOR - "O" RING

**HYDRAULIC PIPING - E-Z POUR 100 DIESEL MELTER  
WITH COMPRESSOR WITH PUMP APPLICATOR**

<b>16. MIXER VALVE ("B" PORT) TO HYD. MOTOR FOR MIXER (R.H. PORT)</b>		
1	29841	STRAIGHT ADAPTOR
1	AX6-6FJ-6FJ-18	HYD. HOSE ASSY. 3/8 X 18" LG.
1	29808	TUBE CONNECTOR
1	41551	TUBE ASSY.
1	22029	STRAIGHT ADAPTOR - "O" RING
<b>17. MATERIAL VALVE ("B" PORT) TO HYD. MOTOR FOR MATERIAL PUMP (TOP PORT)</b>		
1	29876	ELBOW ADAPTOR
1	AX6-6FJ-6FJ-34	HYD. HOSE
1	22029	STRAIGHT ADAPTOR - "O" RING
<b>18. MATERIAL VALVE ("A" PORT) TO HYD. MOTOR FOR MATERIAL PUMP (BOTTOM PORT)</b>		
1	29876	ELBOW ADAPTOR
1	AX6-6FJ-6FJ-34	HYD. HOSE
1	22029	STRAIGHT ADAPTOR - "O" RING

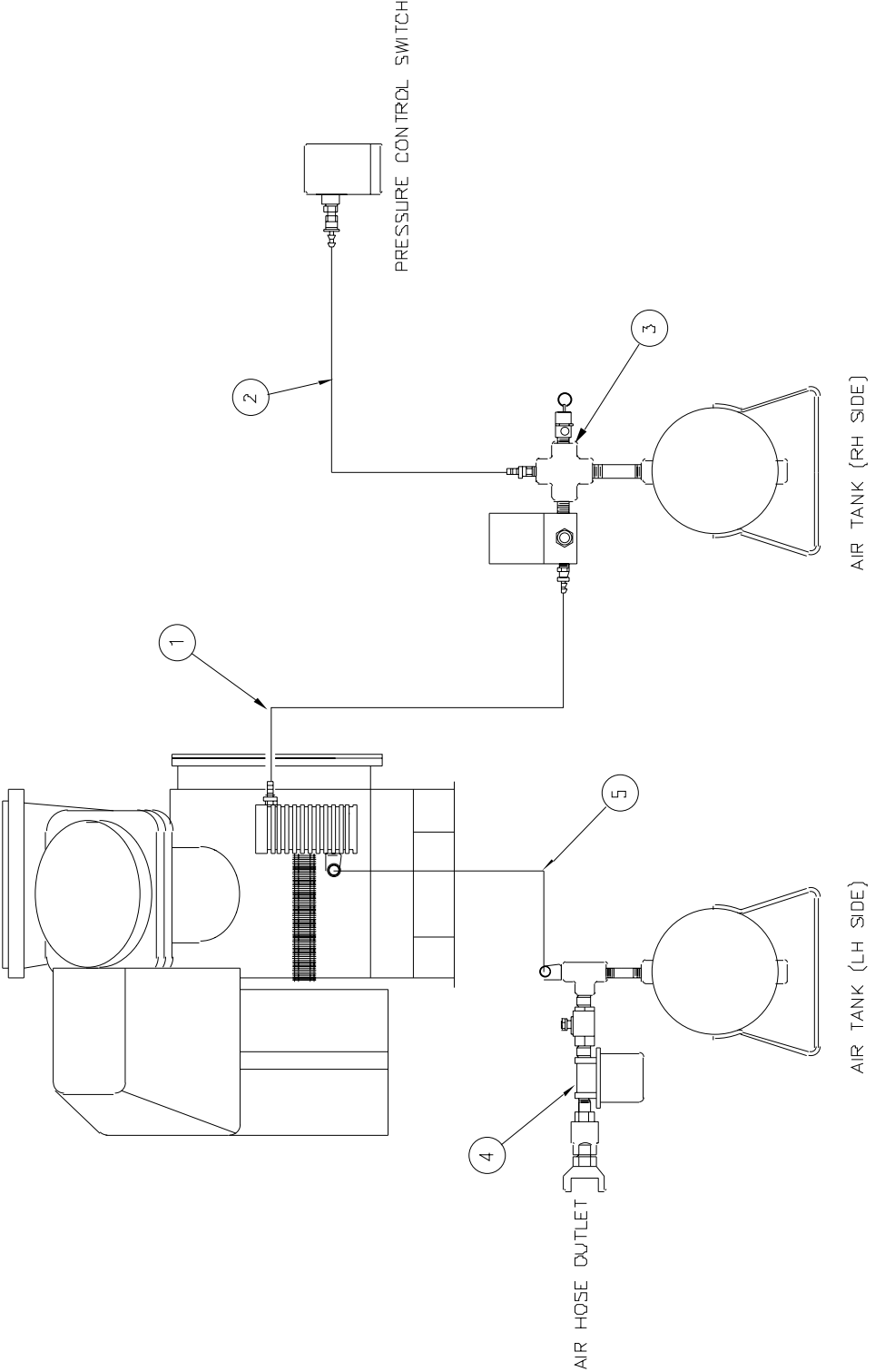
**DIESEL PIPING DIAGRAM  
E-Z 100 DIESEL MELTER WITH COMPRESSOR WITH PUMP/APPLICATOR**



**DIESEL PIPING - E-Z POUR 100 DIESEL MELTER  
WITH COMPRESSOR WITH PUMP APPLICATOR**

<b>1. DIESEL FUEL TANK TO DIESEL FUEL FILTER</b>		
1	26782	ELBOW ADAPTER
1	26767	SWIVEL PUSH ON FITTING
1	29590	FUEL HOSE 5/16 X 95" LONG
2	26080	GEAR CLAMP
<b>2. FUEL FILTER TO DIESEL BURNER</b>		
1	29591	FUEL HOSE 5/16" X 80" LG.
2	26080	GEAR CLAMP
1	26767	SWIVEL PUSH ON FITTING
1	26782	ELBOW ADAPTOR
<b>3. DIESEL ENGINE TO FUEL TANK (RETURN)</b>		
1	29592	FUEL HOSE 3/16 X 80" LG.
2	26080	GEAR CLAMP
1	29831	SWIVEL PUSH ON
1	29870	ELBOW ADAPTOR
<b>4. DIESEL FUEL TANK DRAIN</b>		
1	28018	1/2 X 2" NIPPLE
1	29213	1/2 BRASS GATE VALVE
1	28283	1/2 PIPE PLUG

**AIR PIPING DIAGRAM**  
**E-Z 100 DIESEL MELTER WITH COMPRESSOR WITH PUMP/APPLICATOR**

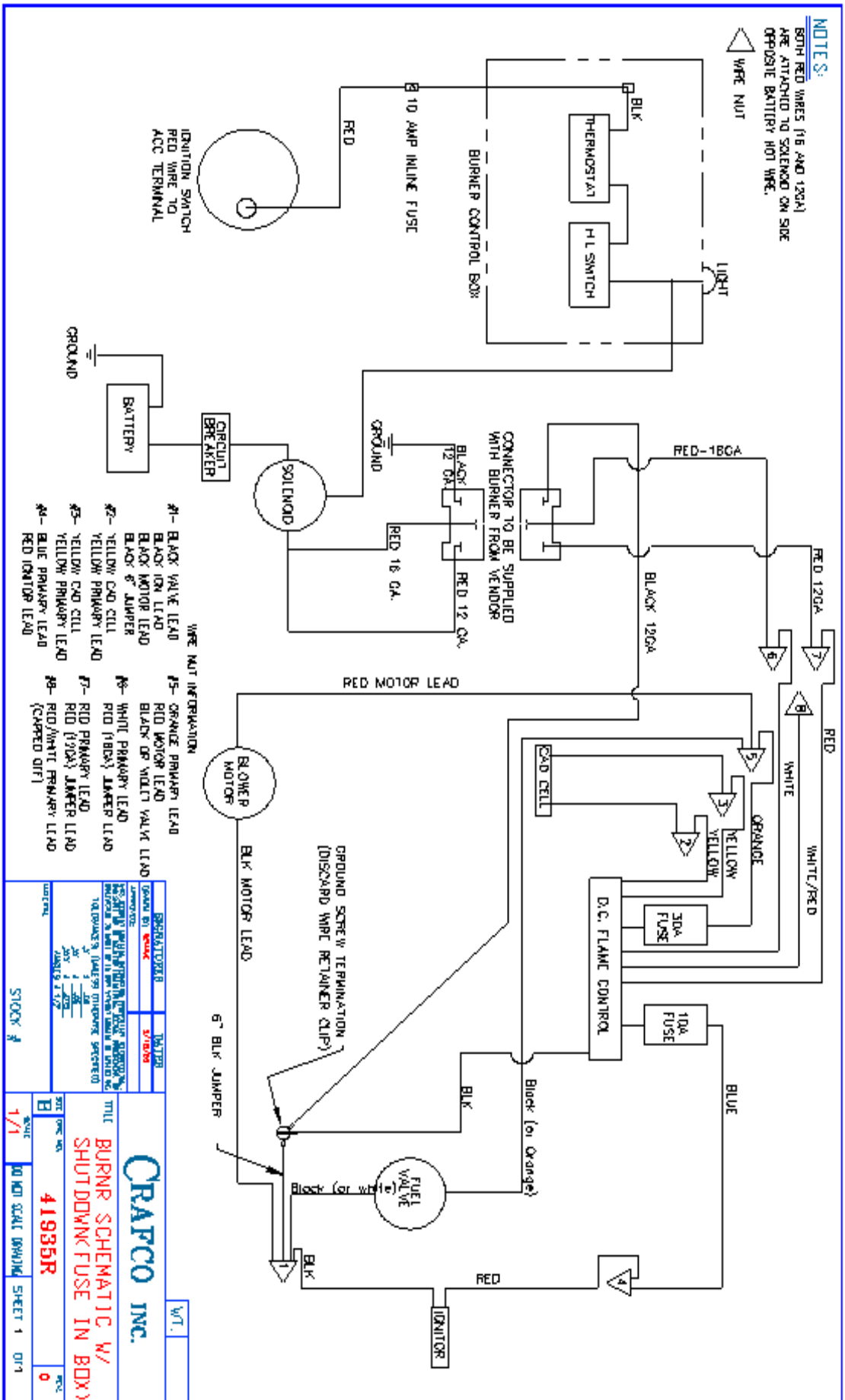




**AIR PIPING DIAGRAM**  
**E-Z 100 DIESEL MELTER WITH COMPRESSOR WITH PUMP/APPLICATOR**

<b>1. AIR COMPRESSOR TO PRESSURE CONTROL SOLENOID</b>		
1	26750	STRAIGHT FITTING - PUSH ON
1	29586	#4 PUSH-ON HOSE 24" LONG
1	26761	FEMALE SWIVEL - PUSH ON
1	29836	STRAIGHT ADAPTOR
<b>2. AIR TANK TO PRESSURE CONTROL SWITCH</b>		
1	26750	MALE #4 HOSE FITTING
1	29586	#4 PUSH-ON HOSE - 24" LONG
1	26761	FEMALE SWIVEL - PUSH ON
1	29836	STRAIGHT ADAPTOR
1	42621	PRESSURE CONTROL SWITCH
<b>3. AIR RECEIVER - SMALL OUTLET</b>		
1	28024	1/4 X 2-1/2 NIPPLE
1	28262	1/4 PIPE CROSS
1	28001	1/4 CLOSE NIPPLE
1	42625	SAFETY VALVE
1	50009	1/4 MUFFLER
1	43736	SOLENOID AIR VALVE
<b>4. AIR TANK DISCHARGE LINE</b>		
1	28018	PIPE NIPPLE - 1/2 X 2" LONG
1	28253	1/2 PIPE TEE
1	51405	1/2 HX. NIPPLE
1	29214	1/2 BRONZE BALL VALVE
1	42603	WATER SEPERATOR
1	42702	1/2 SWIVEL - MALE/FEMALE
1	42643	1/2 FITTING (AIR HOSE)
1	42640	AIR HOSE W/FITTINGS
<b>5. AIR RECEIVER TO AIR COMPRESSOR</b>		
1	29845	ELBOW ADAPTOR
1	41404	METAL HOSE ASSY. - 1/2 X 22" LONG
1	29845	ELBOW ADAPTOR

**NOTES:**  
 BOTH RED WIRES (16 AND 12GA)  
 ARE ATTACHED TO SOLENOID ON SIDE  
 OPPOSITE BATTERY HOT WIRE.



- WIRE NUT INFORMATION**
- #1- BLACK VALVE LEAD
  - #2- BLACK ION LEAD
  - #3- BLACK MOTOR LEAD
  - #4- BLACK 6" JUMPER
  - #5- YELLOW CAD CELL
  - #6- YELLOW PRIMARY LEAD
  - #7- YELLOW CAD CELL
  - #8- YELLOW PRIMARY LEAD
  - #9- BLUE PRIMARY LEAD
  - #10- RED (IONTOR LEAD)
  - #11- ORANGE PRIMARY LEAD
  - #12- RED MOTOR LEAD
  - #13- BLACK OR WHITE VALVE LEAD
  - #14- WHITE PRIMARY LEAD
  - #15- RED (REDX) JUMPER LEAD
  - #16- RED PRIMARY LEAD
  - #17- RED (12GA) JUMPER LEAD
  - #18- RED/WHITE PRIMARY LEAD (CAPPED OFF)

GENERATOR	WATER
DRIVEN BY	3/16" DIA
REVISED	1/71
DATE	1/71
BY	1/71
CHKD BY	1/71
APPROVED BY	1/71
REVISIONS	1/71
NO. OF REV.	1/71
DATE	1/71
BY	1/71
CHKD BY	1/71
APPROVED BY	1/71

<b>CRAPCO INC.</b>	
TITLE: <b>BURNER SCHEMATIC W/ SHUT-DOWN FUSE IN BOX</b>	
STOCK #	<b>41935R</b>
DATE	<b>1/71</b>
BY	<b>1/71</b>
CHKD BY	<b>1/71</b>
APPROVED BY	<b>1/71</b>
NO. OF REV.	<b>1/71</b>
DATE	<b>1/71</b>
BY	<b>1/71</b>
CHKD BY	<b>1/71</b>
APPROVED BY	<b>1/71</b>

---

---

**Pioneering Leadership and  
Innovation in Quality  
Pavement Maintenance  
Products.**

**CRAFCO<sup>TM</sup> INC**  
**AN ERGON<sup>®</sup> COMPANY**

**235 South Hibbert · Mesa, Arizona 85210  
480-655-8333 · Watts 1-800-528-8242  
Fax 480-655-1712**

©Copyright 2002 by Crafc0, Inc.